

The BMRS series advanced **ROLORTORC™** gear set, shaft distribution flow, hydraulic motor is a compact, low noise, high efficient high torque low speed design. The **ROLORTORC™** gear set also affords a reliable smooth start up at low pressure.

The special design of the valve linkage and high pressure capability of the shaft seal provides a long operating life and these motors can be used in either series or parallel operation.

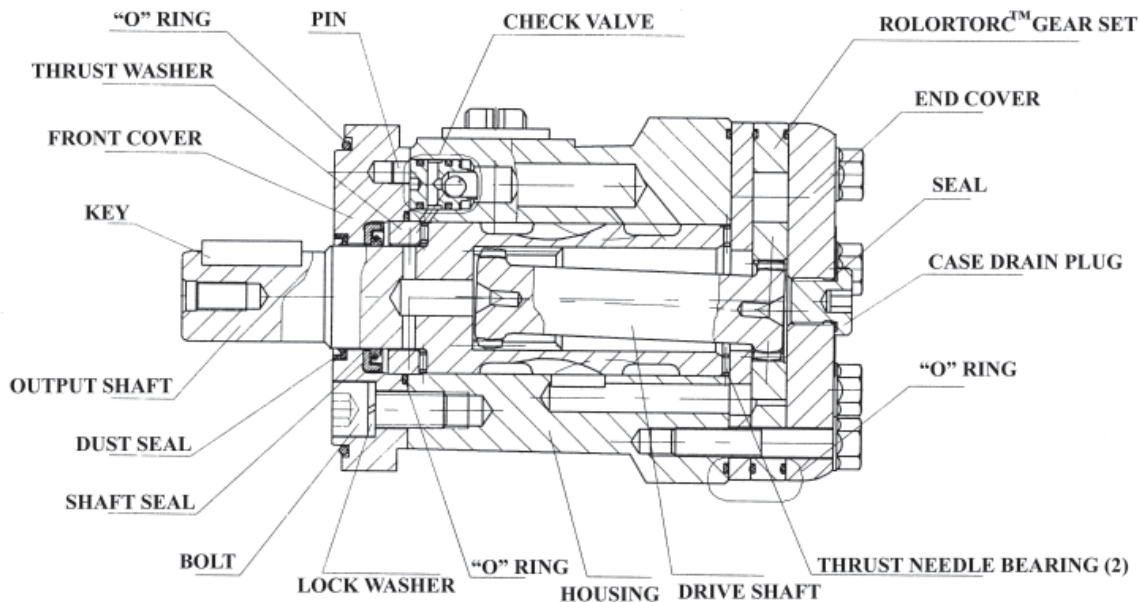
The low weight advanced construction design is manufactured in accordance with the requirements of ISO 9000-2000 quality system.

### Technical Specifications - BMRS

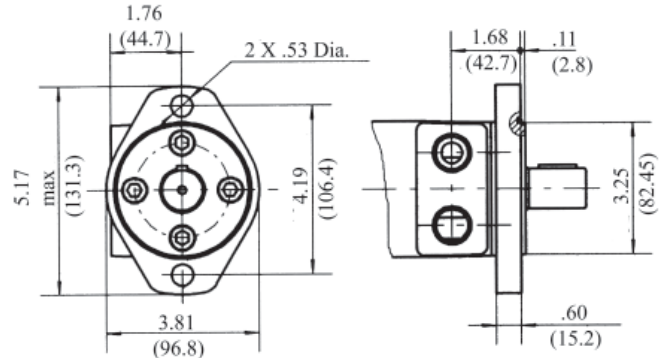
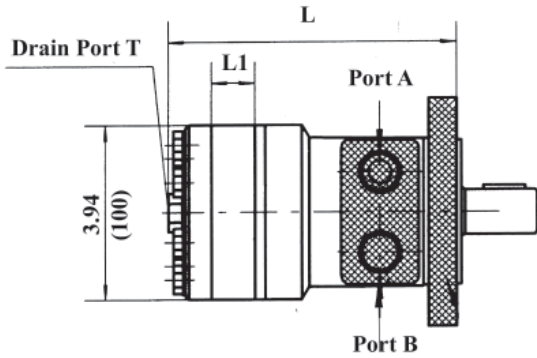
MODEL		BMRS50	BMRS80	BMRS100	BMRS125	BMRS160	BMRS200	BMRS250	BMRS315	BMRS375
<b>Displacement</b> Cm <sup>3</sup> /Rev (In <sup>3</sup> /Rev)		51.3 (3.05)	80.6 (4.92)	101 (6.15)	125 (7.63)	157 (9.6)	199 (12.16)	252 (15.38)	315 (19.2)	370 (22.6)
	<b>Maximum Speed</b> RPM	Cont 755 Int. 970	750 940	600 750	475 600	375 470	300 375	240 300	190 240	160 200
<b>Max Torque</b> NM / (in.lbs)	Cont	100 (885)	190 (1682)	240 (2124)	292 (2584)	363 (3273)	358 (3168)	352 (3115)	360 (3186)	420 (3717)
	Int.	126 (1115)	220 (1947)	280 (2478)	340 (3010)	430 (3806)	448 (3965)	470 (4159)	480 (4247)	548 (4850)
<b>Max Differential</b> Mpa / (PSI)	Cont	14 (2061)	17.5 (2576)	17.5 (2576)	17.5 (2576)	16.5 (2429)	13 (1914)	11 (1625)	8.5 (1251)	8.5 (1251)
	Int.	17.5 (2576)	20 (2944)	20 (2944)	20 (2944)	20 (2944)	17.5 (2576)	14 (2061)	11.5 (1693)	11.5 (1693)
<b>Max Flow</b> L/min / (gpm)	Cont	40 (10.5)	60 (15.8)	60 (15.8)	60 (15.8)	60 (15.8)	60 (15.8)	60 (15.8)	60 (15.8)	60 (15.8)
	Int.	50 (13.15)	75 (19.75)	75 (19.75)	75 (19.75)	75 (19.75)	75 (19.75)	75 (19.75)	75 (19.75)	75 (19.75)
<b>Weight Kg / (lbs)</b>		6.7 (14.8)	6.9 (15.2)	6.9 (15.2)	7.2 (15.8)	7.5 (16.5)	8.0 (17.6)	8.5 (18.7)	9.0 (19.8)	9.3 (20.5)

Continuous = maximum of continuous operation

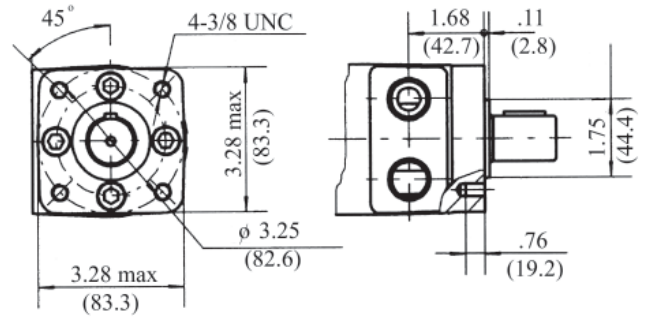
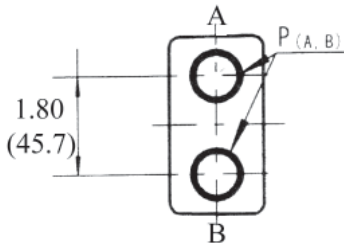
Intermittent = maximum operating range for 6 seconds per minute



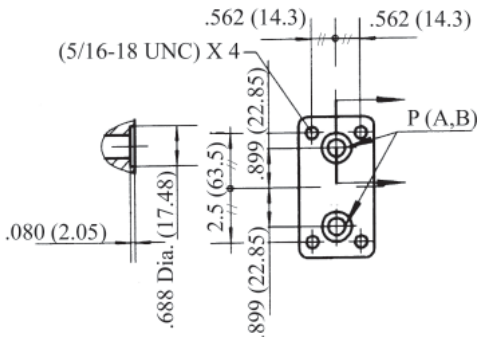
## BMRS INSTALLATION DATA



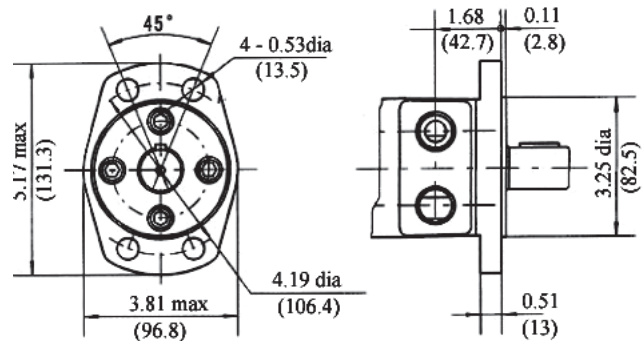
H2 - SAE -"A" 2 BOLT



H4 - SAE -"A" 4 BOLT



Manifold Mount

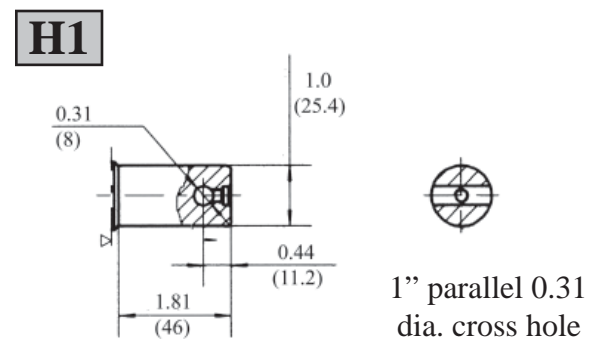
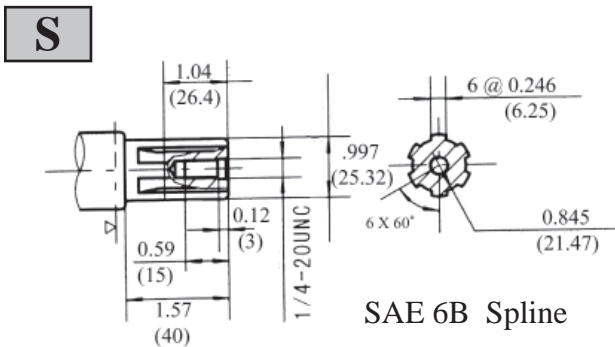
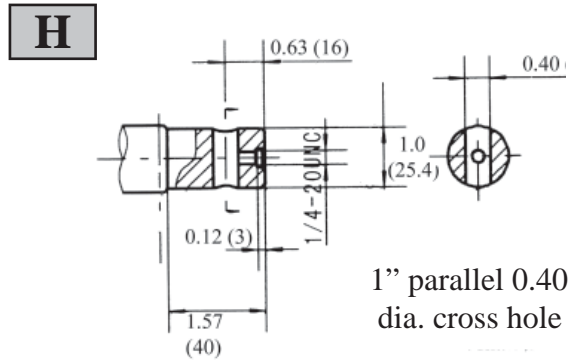
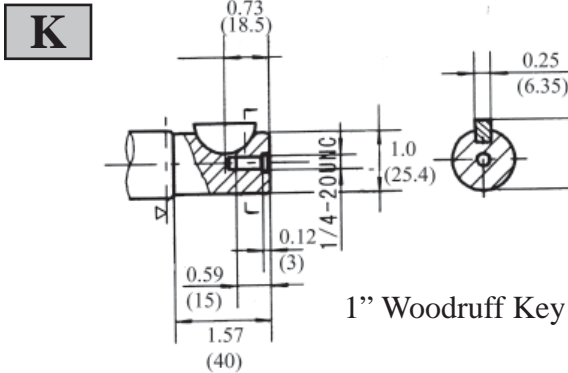


H6 - Magneto

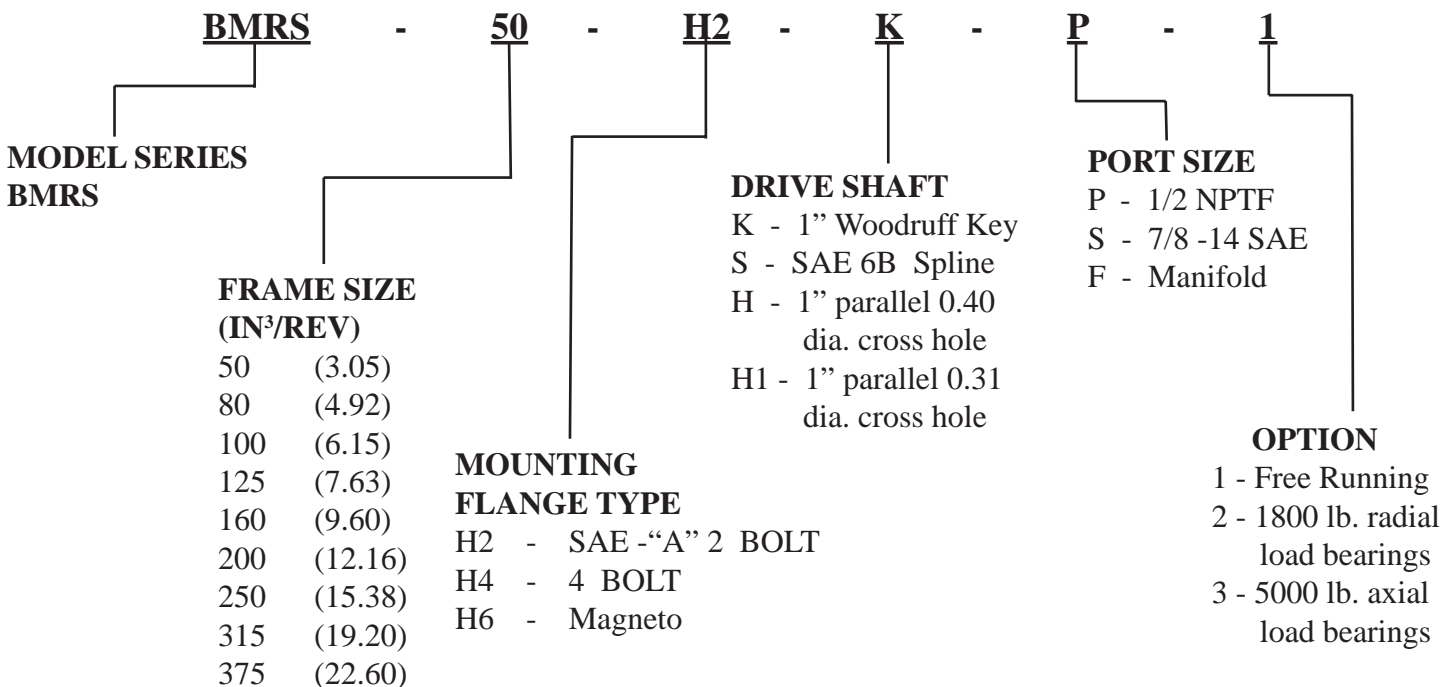
MODEL BMRS	L		L1	
	inches	mm	inches	mm
BMRS 50	5.67	144	.39	10
BMRS 80	5.90	150	.63	16
BMRS 100	6.06	154	.79	20
BMRS 125	6.26	159	.98	25
BMRS 160	6.51	165.5	1.24	31.5
BMRS 200	6.85	174	1.57	40
BMRS 250	7.24	184	1.97	50
BMRS 315	7.72	196	2.44	62
BMRS 375	8.19	208	2.91	74

PORT SIZES	S	P
P (A,B)	7/8-14 SAE	1/2-14 NPTF
T	7/16-20 SAE	7/16-20 SAE

## MODEL BMRS DRIVE SHAFT DATA



## BMRS MODEL NUMBER DATA



Additional flange and drive shaft options available please consult factory

<b>BMRS 50</b>		<b>51.3 Cm<sup>3</sup>/Rev 3.13 in<sup>3</sup>/Rev</b>					<b>Max Cont.</b>	<b>Max Int.</b>	
<b>Pressure Mpa (psi)</b>		<b>5 (376)</b>	<b>7 (1030)</b>	<b>9 (1352)</b>	<b>10 (1470)</b>	<b>12 (1766)</b>	<b>14 (2060)</b>	<b>16 (2355)</b>	<b>17.5 (2576)</b>
<b>F L O W</b>	<b>LPM (GPM)</b>	<b>Torque Mn (in.Lbs) Speed Specification</b>							
	<b>5 (1.32)</b>	35 (310)	45 (398)	61 (540)	67 (593)	77 (681)	88 (779)		
		95 rpm	84 rpm	76 rpm	73 rpm	69 rpm	46 rpm		
	<b>10 (2.65)</b>	36 (316)	46 (407)	62 (549)	69 (611)	80 (708)	95 (841)	108 (956)	120 (1062)
		184 rpm	176 rpm	165 rpm	162 rpm	150 rpm	130 rpm	111 rpm	84 rpm
	<b>15 (3.95)</b>	35 (310)	49 (434)	63 (558)	73 (646)	88 (779)	100 (885)	109 (965)	123 (1089)
		283 rpm	277 rpm	269 rpm	261 rpm	250 rpm	230 rpm	211 rpm	185 rpm
	<b>20 (5.26)</b>	34 (301)	47 (416)	61 (540)	69 (611)	83 (735)	96 (850)	109 (965)	126 (1115)
		377 rpm	375 rpm	365 rpm	361 rpm	346 rpm	330 rpm	308 rpm	276 rpm
	<b>25 (6.60)</b>	34 (301)	45 (398)	61 (540)	69 (611)	81 (717)	96 (850)	109 (965)	126 (1115)
		476 rpm	468 rpm	460 rpm	453 rpm	438 rpm	423 rpm	395 rpm	361 rpm
		33 (292)	44 (389)	60 (531)	67 (593)	80 (708)	95 (841)	108 (956)	126 (1115)
	576 rpm	569 rpm	561 rpm	554 rpm	542 rpm	531 rpm	500 rpm	465 rpm	
	<b>35 (9.20)</b>	31 (274)	42 (372)	59 (522)	66 (584)	80 (708)	93 (823)	107 (947)	124 (1097)
		669 rpm	665 rpm	657 rpm	654 rpm	638 rpm	623 rpm	598 rpm	561 rpm
<b>Max Cont.</b>	<b>40 (10.50)</b>	30 (266)	41 (363)	58 (513)	66 (584)	79 (699)	92 (814)	106 (938)	122 (1080)
		760 rpm	758 rpm	753 rpm	750 rpm	738 rpm	727 rpm	700 rpm	670 rpm
<b>Max Int.</b>	<b>45 (11.85)</b>	29.5 (281)	40 (354)	57 (504)	65 (575)	78 (690)	90 (797)	105 (929)	121 (1071)
		856 rpm	856 rpm	850 rpm	845 rpm	835 rpm	815 rpm	799 rpm	780 rpm

<b>BMRS 80</b>		<b>80.6 Cm<sup>3</sup>/Rev 4.9 in<sup>3</sup>/Rev</b>					<b>Max Cont.</b>	<b>Max Int.</b>	
<b>Pressure Mpa (psi)</b>		<b>5 (376)</b>	<b>7 (1030)</b>	<b>9 (1352)</b>	<b>10 (1470)</b>	<b>12 (1766)</b>	<b>14 (2060)</b>	<b>16 (2355)</b>	<b>17.5 (2576)</b>
<b>F L O W</b>	<b>LPM (GPM)</b>	<b>Torque Mn (in.Lbs) Speed Specification</b>							
	<b>10 (2.65)</b>	55 (487)	77 (681)	98 (867)	107 (947)	130 (1151)	149 (1319)	170 (1505)	180 (1593)
		115 rpm	109 rpm	106 rpm	101 rpm	91 rpm	75 rpm	53 rpm	45 rpm
	<b>20 (5.25)</b>	50 (443)	81.6 (722)	105 (938)	118 (1044)	132 (1168)	160 (1416)	178 (1575)	189 (1673)
		239 rpm	235 rpm	227 rpm	224 rpm	209 rpm	196 rpm	172 rpm	160 rpm
	<b>30 (7.90)</b>	48 (425)	74 (655)	97 (858)	114 (1009)	131 (1159)	150 (1328)	179 (1584)	190 (1682)
		364 rpm	360 rpm	357 rpm	345 rpm	332 rpm	321 rpm	300 rpm	284 rpm
	<b>40 (10.50)</b>	45 (398)	71 (628)	95 (841)	105 (929)	128 (1133)	149 (1319)	177 (1566)	188 (1664)
		488 rpm	483 rpm	475 rpm	472 rpm	460 rpm	447 rpm	420 rpm	408 rpm
	<b>50 (13.15)</b>	42 (372)	70 (620)	90 (797)	98 (867)	125 (1106)	147 (1301)	171 (1513)	187 (1655)
		619 rpm	615 rpm	607 rpm	598 rpm	593 rpm	568 rpm	547 rpm	535 rpm
		<b>60 (15.80)</b>	38 (336)	63 (558)	85 (752)	95 (841)	118 (1044)	142 (1257)	169 (1496)
		740 rpm	725 rpm	721 rpm	715 rpm	707 rpm	688 rpm	667 rpm	657 rpm
<b>Max Cont.</b>	<b>70 (18.40)</b>	36 (319)	58 (513)	80 (708)	89 (788)	112 (991)	139 (1230)	164 (1451)	179 (1584)
		860 rpm	853 rpm	839 rpm	837 rpm	823 rpm	811 rpm	790 rpm	776 rpm
<b>Max Int.</b>	<b>75 (19.75)</b>	29 (257)	56 (496)	77 (681)	85 (752)	110 (974)	133 (1177)	161 (1425)	177 (1566)
		925 rpm	915 rpm	910 rpm	899 rpm	888 rpm	871 rpm	853 rpm	837 rpm

<b>BMRS 100</b>		<b>100.8 Cm<sup>3</sup>/Rev 6.15 in<sup>3</sup>/Rev</b>					<b>Max Cont.</b>	<b>Max Int.</b>	
<b>Pressure Mpa (psi)</b>		<b>5 (376)</b>	<b>7 (1030)</b>	<b>9 (1352)</b>	<b>10 (1470)</b>	<b>12 (1766)</b>	<b>14 (2060)</b>	<b>16 (2355)</b>	<b>17.5 (2576)</b>
<b>F L O W</b>	<b>LPM (GPM)</b>	<b>Torque Mn (in.Lbs) Speed Specification</b>							
	<b>10 (2.65)</b>	70 (620)	100 (885)	122 (1080)	138 (1221)	159 (1407)	182 (1611)	210 (1859)	222 (1965)
		99 rpm	95 rpm	87 rpm	84 rpm	74 rpm	63 rpm	52 rpm	44 rpm
	<b>20 (5.25)</b>	68 (602)	95 (841)	123 (1089)	143 (1266)	165 (1460)	200 (1770)	221 (1956)	238 (2106)
		199 rpm	194 rpm	188 rpm	182 rpm	175 rpm	162 rpm	150 rpm	138 rpm
	<b>30 (7.90)</b>	62 (547)	94 (832)	121 (1071)	140 (1239)	164 (1451)	194 (1717)	220 (1947)	240 (2124)
		299 rpm	294 rpm	288 rpm	284 rpm	278 rpm	263 rpm	249 rpm	236 rpm
	<b>40 (10.50)</b>	59 (522)	88 (779)	119 (1053)	134 (1186)	161 (1425)	192 (1699)	218 (1929)	238 (2106)
		400 rpm	398 rpm	387 rpm	385 rpm	380 rpm	366 rpm	350 rpm	336 rpm
	<b>50 (13.15)</b>	55 (487)	83 (735)	117 (1035)	125 (1106)	157 (1389)	185 (1637)	217 (1920)	235 (2080)
		498 rpm	496 rpm	488 rpm	484 rpm	475 rpm	464 rpm	450 rpm	436 rpm
		<b>60 (15.80)</b>	48 (425)	79 (699)	110 (974)	119 (1053)	152 (1345)	180 (1593)	214 (1894)
		599 rpm	595 rpm	587 rpm	585 rpm	579 rpm	569 rpm	552 rpm	538 rpm
<b>Max Cont.</b>	<b>70 (18.40)</b>	43 (381)	70 (620)	100 (885)	112 (991)	142 (1257)	170 (1505)	201 (1789)	229 (2027)
		699 rpm	693 rpm	687 rpm	683 rpm	679 rpm	668 rpm	648 rpm	636 rpm
<b>Max Int.</b>	<b>75 (19.75)</b>	39 (345)	63 (558)	97 (858)	105 (929)	140 (1239)	167 (1478)	197 (1743)	227 (2009)
		748 rpm	741 rpm	737 rpm	735 rpm	720 rpm	713 rpm	697 rpm	686 rpm

<b>BMRS 125</b>		<b>124.9 Cm<sup>3</sup>/Rev 7.63 in<sup>3</sup>/Rev</b>					<b>Max Cont.</b>	<b>Max Int.</b>	
<b>Pressure Mpa (psi)</b>		<b>5 (376)</b>	<b>7 (1030)</b>	<b>9 (1352)</b>	<b>10 (1470)</b>	<b>12 (1766)</b>	<b>14 (2060)</b>	<b>16 (2355)</b>	<b>17.5 (2576)</b>
<b>F L O W</b>	<b>LPM (GPM)</b>	<b>Torque Mn (in.Lbs) Speed Specification</b>							
	<b>10 (2.65)</b>	90 (797)	122 (1080)	160 (1416)	173 (1531)	205 (1814)	237 (2097)	258 (2283)	270 (2390)
		73 rpm	71 rpm	66 rpm	63 rpm	55 rpm	42 rpm	23 rpm	14 rpm
	<b>20 (5.25)</b>	85 (752)	118 (1044)	159 (1407)	172 (1522)	208 (1841)	250 (2213)	278 (2460)	292 (2584)
		154 rpm	152 rpm	150 rpm	145 rpm	138 rpm	123 rpm	109 rpm	91 rpm
	<b>30 (7.90)</b>	82 (726)	107 (947)	158 (1398)	164 (1451)	206 (1823)	241 (2133)	277 (2451)	291 (2575)
		237 rpm	236 rpm	233 rpm	226 rpm	219 rpm	207 rpm	192 rpm	170 rpm
	<b>40 (10.50)</b>	79 (699)	105 (929)	150 (1320)	161 (1425)	204 (1895)	238 (2106)	275 (2434)	289 (2558)
		315 rpm	313 rpm	309 rpm	307 rpm	302 rpm	297 rpm	272 rpm	254 rpm
	<b>50 (13.15)</b>	75 (664)	96 (850)	145 (1283)	160 (1416)	198 (1752)	236 (2089)	262 (2319)	282 (2496)
	398 rpm	397 rpm	395 rpm	391 rpm	381 rpm	368 rpm	353 rpm	337 rpm	
	<b>60 (15.80)</b>	62 (549)	95 (841)	139 (1230)	158 (1938)	183 (1389)	222 (1965)	254 (2248)	279 (2469)
		475 rpm	473 rpm	471 rpm	470 rpm	463 rpm	450 rpm	427 rpm	416 rpm
<b>Max Cont.</b>	<b>70 (18.40)</b>	59 (522)	83 (735)	125 (1106)	150 (1328)	178 (1575)	212 (1876)	250 (2213)	262 (2319)
		554 rpm	553 rpm	551 rpm	550 rpm	546 rpm	538 rpm	514 rpm	500 rpm
<b>Max Int.</b>	<b>75 (19.75)</b>	56 (496)	80 (708)	122 (1080)	145 (1283)	172 (1522)	205 (1814)	245 (2168)	261 (2310)
		598 rpm	597 rpm	593 rpm	590 rpm	586 rpm	577 rpm	551 rpm	537 rpm

<b>BMRS 160</b>		<b>157.2 Cm<sup>3</sup>/Rev 9.60 in<sup>3</sup>/Rev</b>					<b>Max Cont.</b>	<b>Max Int.</b>	
<b>Pressure Mpa (psi)</b>		<b>5 (376)</b>	<b>7 (1030)</b>	<b>9 (1352)</b>	<b>10 (1470)</b>	<b>12 (1766)</b>	<b>14 (2060)</b>	<b>16 (2355)</b>	<b>17.5 (2576)</b>
<b>F L O W</b>	<b>LPM (GPM)</b>	<b>Torque Mn (in.Lbs) Speed Specification</b>							
	<b>10 (2.65)</b>	115 (1018)	160 (14160)	203 (1797)	220 (1947)	260 (2301)	300 (2655)	340 (3009)	363 (3204)
		58 rpm	55 rpm	52 rpm	50 rpm	44 rpm	38 rpm	34 rpm	26 rpm
	<b>20 (5.25)</b>	114 (1009)	160 (1416)	205 (1814)	230 (2036)	265 (2345)	320 (2832)	355 (3142)	380 (3363)
		119 rpm	115 rpm	111	108	103	95	84	76
	<b>30 (7.90)</b>	105 (929)	158 (1398)	202 (1788)	221 (1956)	261 (2310)	305 (2699)	344 (3044)	378 (3345)
		184 rpm	181 rpm	177 rpm	172 rpm	165 rpm	153 rpm	134 rpm	130 rpm
	<b>40 (10.50)</b>	100 (885)	145 (1283)	196 (1735)	218 (1929)	257 (2274)	299 (2646)	340 (3009)	374 (3310)
		246 rpm	244 rpm	239 rpm	237 rpm	230 rpm	218 rpm	199 rpm	184 rpm
	<b>50 (13.15)</b>	90 (797)	140 (1239)	190 (1682)	209 (1850)	250 (2213)	295 (2611)	336 (2974)	366 (3239)
	307 rpm	305 rpm	302 rpm	300 rpm	292 rpm	280 rpm	262 rpm	244 rpm	
	<b>60 (15.80)</b>	84 (743)	136 (1204)	180 (1593)	199 (1761)	240 (2124)	286 (2531)	330 (2921)	360 (3186)
		370 rpm	368 rpm	364 rpm	362 rpm	355 rpm	342 rpm	334 rpm	304 rpm
<b>Max Cont.</b>	<b>70 (18.40)</b>	65 (575)	120 (1062)	164 (1451)	180 (1593)	223 (1974)	280 (2478)	320 (2832)	350 (3098)
		435 rpm	434 rpm	430 rpm	427 rpm	416 rpm	405 rpm	335 rpm	366 rpm
<b>Max Int.</b>	<b>75 (19.75)</b>	59 (522)	116 (1026)	158 (1398)	175 (1549)	220 (1947)	272 (2407)	314 (2779)	342 (3027)
		465 rpm	462 rpm	458 rpm	456 rpm	447 rpm	433 rpm	416 rpm	395 rpm

<b>BMRS 200</b>		<b>199.2 Cm<sup>3</sup>/Rev 12.16 in<sup>3</sup>/Rev</b>					<b>Max Cont.</b>	<b>Max Int.</b>	
<b>Pressure Mpa (psi)</b>		<b>5 (376)</b>	<b>7 (1030)</b>	<b>9 (1352)</b>	<b>10.5 (1546)</b>	<b>12 (1766)</b>	<b>14 (2060)</b>	<b>17.5 (2576)</b>	
<b>F L O W</b>	<b>LPM (GPM)</b>	<b>Torque Mn (in.Lbs) Speed Specification</b>							
	<b>10 (2.65)</b>	148 (1310)	205 (1814)	255 (2257)	290 (2567)	327 (2894)	370 (3275)	442 (3912)	
		49 rpm	47 rpm	45 rpm	43 rpm	40 rpm	30 rpm	24 rpm	
	<b>20 (5.25)</b>	140 (1239)	202 (1788)	250 (2213)	323 (2859)	330 (2921)	411 (3637)	448 (3965)	
		99 rpm	97 rpm	93 rpm	90 rpm	86 rpm	78 rpm	65 rpm	
	<b>30 (7.90)</b>	130 (1151)	193 (1708)	241 (2133)	307 (2717)	325 (2876)	377 (3336)	445 (3938)	
		149 rpm	146 rpm	140 rpm	136 rpm	131 rpm	122 rpm	105 rpm	
	<b>40 (10.50)</b>	125 (1106)	186 (1646)	232 (2953)	305 (2699)	313 (2770)	390 (3452)	436 (3860)	
		200 rpm	197 rpm	192 rpm	188 rpm	181 rpm	170 rpm	149 rpm	
	<b>50 (13.15)</b>	120 (1062)	177 (1566)	225 (1991)	295 (2611)	305 (2699)	382 (3381)	427 (3779)	
	250 rpm	247 rpm	242 rpm	238 rpm	231 rpm	218 rpm	193 rpm		
	<b>60 (15.80)</b>	110 (974)	166 (1469)	221 (1956)	285 (25220)	292 (2584)	372 (3292)	419 (3708)	
		300 rpm	298 rpm	291 rpm	287 rpm	282 rpm	268 rpm	236 rpm	
<b>Max Cont.</b>	<b>70 (18.40)</b>	98 (867)	150 (1328)	205 (1814)	244 (2159)	278 (2461)	331 (2929)	410 (3629)	
		350 rpm	347 rpm	342 rpm	338 rpm	331 rpm	318 rpm	282 rpm	
<b>Max Int.</b>	<b>75 (19.75)</b>	85 (752)	141 (1248)	199 (1761)	235 (2080)	268 (2372)	323 (2859)	400 (3540)	
		375 rpm	372 rpm	366 rpm	362 rpm	357 rpm	343 rpm	310 rpm	

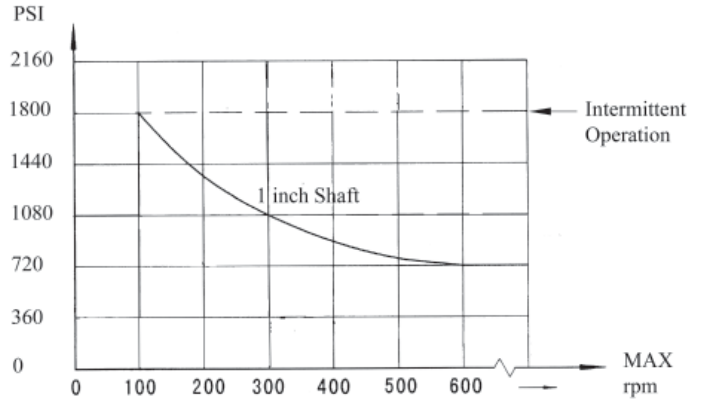
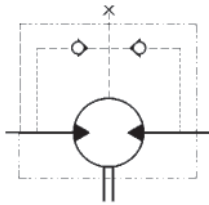
<b>BMRS 250</b>		<b>252 Cm<sup>3</sup>/Rev 15.39 in<sup>3</sup>/Rev</b>					<b>Max Cont.</b>	<b>Max Int.</b>	
<b>Pressure Mpa (psi)</b>		<b>3 (442)</b>	<b>5 (376)</b>	<b>7 (1030)</b>	<b>9 (1352)</b>	<b>10.5 (1546)</b>	<b>12 (1766)</b>	<b>14 (2060)</b>	<b>17.5 (2576)</b>
<b>F L O W</b>	<b>LPM (GPM)</b>	<b>Torque Mn (in.Lbs) Speed Specification</b>							
	<b>10 (2.65)</b>	115 (1018)	180 (1593)	251 (2221)	295 (2611)	350 (3098)	380 (3363)	470 (4160)	535 (4735)
		40 rpm	38 rpm	37 rpm	35 rpm	32 rpm	30 rpm	22 rpm	16 rpm
	<b>20 (5.25)</b>	110 (974)	178 (1575)	252 (2230)	294 (2602)	352 (3115)	385 (3407)	470 (4160)	548 (4850)
		79 rpm	78 rpm	75 rpm	74 rpm	70 rpm	68 rpm	57 rpm	48 rpm
	<b>30 (7.90)</b>	100 (885)	170 (1505)	248 (2195)	285 (2522)	348 (3080)	381 (3372)	469 (4151)	545 (4823)
		120 rpm	119 rpm	117 rpm	116 rpm	110 rpm	107 rpm	95 rpm	79 rpm
	<b>40 (10.50)</b>	91 (805)	159 (1407)	232 (2053)	268 (2372)	332 (2938)	366 (3239)	460 (4071)	530 (4691)
		158 rpm	157 rpm	156 rpm	154 rpm	151 rpm	148 rpm	130 rpm	110 rpm
	<b>50 (13.15)</b>	81 (717)	148 (1310)	216 (1912)	252 (2230)	320 (2832)	352 (3115)	453 (4009)	521 (4611)
	200 rpm	198 rpm	196 rpm	195 rpm	163 rpm	160 rpm	152 rpm	147 rpm	
	<b>60 (15.80)</b>	75 (664)	132 (1168)	201 (1769)	235 (2080)	305 (2699)	340 (3009)	433 (3832)	505 (4469)
		241 rpm	240 rpm	239 rpm	237 rpm	232 rpm	228 rpm	210 rpm	180 rpm
<b>Max Cont.</b>	<b>70 (18.40)</b>	50 (443)	117 (1035)	189 (1673)	220 (1947)	290 (2567)	320 (2832)	412 (3646)	495 (4381)
		280 rpm	279 rpm	277 rpm	276 rpm	271 rpm	268 rpm	250 rpm	215 rpm
<b>Max Int.</b>	<b>75 (19.75)</b>	42 (372)	105 (929)	180 (1593)	211 (1867)	281 (2487)	310 (2744)	405 (3584)	486 (4301)
		300 rpm	299 rpm	298 rpm	297 rpm	295 rpm	289 rpm	272 rpm	239 rpm

<b>BMRS 315</b>		<b>314.5 Cm<sup>3</sup>/Rev 19.2 in<sup>3</sup>/Rev</b>					<b>Max Cont.</b>	<b>Max Int.</b>
<b>Pressure Mpa (psi)</b>		<b>3 (442)</b>	<b>5 (376)</b>	<b>6.5 (957)</b>	<b>8 (1175)</b>	<b>9 (1325)</b>	<b>13 (1914)</b>	<b>13.5 (1987)</b>
<b>F L O W</b>	<b>LPM (GPM)</b>	<b>Torque Mn (in.Lbs) Speed Specification</b>						
	<b>10 (2.65)</b>	135 (1195)	215 (1903)	279 (2469)	343 (3036)	383 (3390)	515 (4558)	550 (4868)
		31 rpm	29 rpm	28 rpm	27 rpm	27 rpm	24 rpm	22 rpm
	<b>20 (5.25)</b>	133 (1177)	216 (1912)	289 (2558)	349 (3089)	380 (3363)	508 (4496)	552 (4886)
		62 rpm	61 rpm	60 rpm	58 rpm	57 rpm	52 rpm	50 rpm
	<b>30 (7.90)</b>	125 (1106)	205 (1814)	275 (2434)	341 (3018)	375 (3319)	494 (4372)	543 (4801)
		95 rpm	92 rpm	91 rpm	90 rpm	88 rpm	81 rpm	79 rpm
	<b>40 (10.50)</b>	113 (1000)	195 (1726)	267 (2363)	335 (2965)	367 (3248)	485 (4292)	526 (4655)
		123 rpm	121 rpm	120 rpm	118 rpm	117 rpm	106 rpm	104 rpm
	<b>50 (13.15)</b>	92 (814)	170 (1505)	253 (2239)	321 (2841)	352 (3115)	474 (4195)	511 (4522)
	155 rpm	154 rpm	152 rpm	149 rpm	147 rpm	137 rpm	133 rpm	
	<b>60 (15.80)</b>	80 (708)	160 (1416)	231 (2040)	305 (2699)	334 (2956)	458 (4053)	492 (4354)
		190 rpm	187 rpm	193 rpm	179 rpm	176 rpm	163 rpm	157 rpm
<b>Max Cont.</b>	<b>70 (18.40)</b>	57 (504)	136 (1204)	215 (1903)	285 (2522)	320 (2832)	444 (3929)	480 (4248)
		222 rpm	220 rpm	217 rpm	212 rpm	208 rpm	192 rpm	185 rpm
<b>Max Int.</b>	<b>75 (19.75)</b>	55 (487)	124 (1097)	205 (1814)	269 (2381)	308 (2726)	427 (3779)	469 (4151)
		235 rpm	234 rpm	231 rpm	227 rpm	225 rpm	408 rpm	201 rpm

<b>BMRS 375</b>		<b>370 Cm<sup>3</sup>/Rev 22.6 in<sup>3</sup>/Rev</b>					<b>Max Cont.</b>	<b>Max Int.</b>
<b>Pressure Mpa (psi)</b>		<b>3 (442)</b>	<b>5 (376)</b>	<b>6.5 (957)</b>	<b>8 (1175)</b>	<b>9 (1325)</b>	<b>13 (1914)</b>	<b>13.5 (1987)</b>
<b>F L O W</b>	<b>LPM (GPM)</b>	<b>Torque Mn (in.Lbs) Speed Specification</b>						
	<b>10 (2.65)</b>	160 (1416)	270 (2390)	340 (3009)	420 (3717)	470 (4160)	550 (4868)	610 (5399)
		26 rpm	25 rpm	24 rpm	22 rpm	21 rpm	19 rpm	17 rpm
	<b>20 (5.25)</b>	159 (14070)	260 (2301)	340 (3009)	410 (3629)	470 (4160)	540 (4779)	605 (5354)
		53 rpm	52 rpm	51 rpm	49 rpm	47 rpm	42 rpm	37 rpm
	<b>30 (7.90)</b>	150 (1328)	255 (2257)	330 (2921)	400 (3540)	450 (3983)	530 (4691)	600 (5310)
		79 rpm	78 rpm	77 rpm	75 rpm	73 rpm	67 rpm	60 rpm
	<b>40 (10.50)</b>	135 (1195)	240 (2124)	310 (2744)	375 (3319)	430 (3805)	520 (4602)	590 (5222)
		106 rpm	105 rpm	104 rpm	102 rpm	99 rpm	93 rpm	85 rpm
	<b>50 (13.15)</b>	120 (1062)	230 (2036)	295 (2511)	360 (3186)	420 (3717)	505 (4469)	570 (5045)
	134 rpm	132 rpm	131 rpm	129 rpm	126 rpm	120 rpm	110 rpm	
	<b>60 (15.80)</b>	98 (867)	210 (1859)	275 (2434)	340 (3009)	390 (3452)	490 (4337)	550 (4868)
		159 rpm	158 rpm	157 rpm	155 rpm	153 rpm	147 rpm	135 rpm
<b>Max Cont.</b>	<b>70 (18.40)</b>	75 (664)	175 (1549)	250 (2213)	320 (2832)	370 (3275)	465 (4115)	530 (4691)
		187 rpm	186 rpm	185 rpm	183 rpm	180 rpm	175 rpm	160 rpm
<b>Max Int.</b>	<b>75 (19.75)</b>	65 (575)	160 (1416)	230 (2036)	310 (2744)	360 (3186)	450 (3983)	515 (4558)
		200 rpm	199 rpm	198 rpm	195 rpm	192 rpm	187 rpm	178 rpm

## MODEL BMRS TECHNICAL DATA

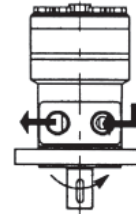
### SHAFT SEAL RATED PRESSURE



### CASE DRAIN

In applications without a motor drain line, the pressure exerted on the shaft seal is marginally in excess of the return line pressure. When the drain line is used the pressure exerted on the shaft seal is equal to the return line pressure.

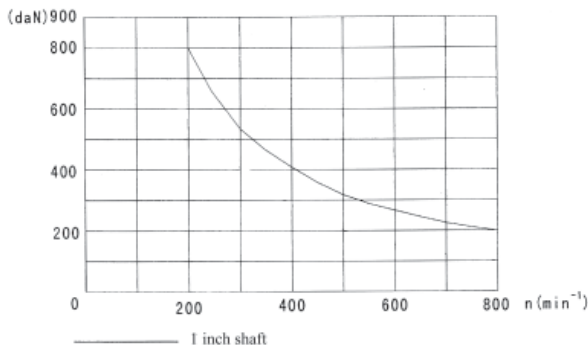
### SHAFT ROTATION DIRECTION



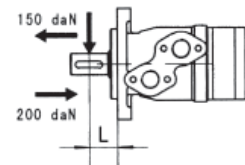
BMRS

### RADIAL FORCES

Status of the shaft's radial force



$$F_r = \frac{800 \cdot 2500}{n \cdot 95 + 1} \text{ daN}$$



$F_r$  = Radial Force (daN)  
 $L$  = Distance (mm)  
 $n$  = Speed (rpm)

Rhomb-flange  $L=30\text{mm}$   
 Square-flange  $L=24\text{mm}$